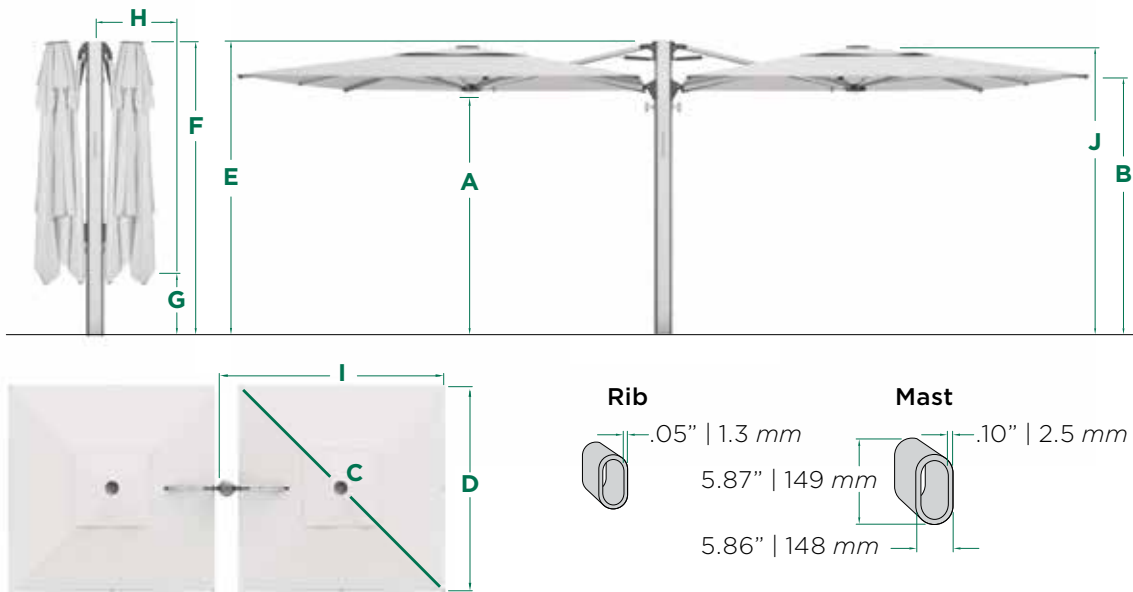


GEMINI | SPECIFICATIONS



KEY	DESCRIPTION	GEM-30S
	Canopy Shape	Square
	Coverage	200 sq ft
	Ribs	8
	Size	10 ft 3.0 m
	Weight	123 lbs
A	Lower Hub HEIGHT (Open)	6' 11" ft 2.1 m
B	Rib End HEIGHT (Open)	7' 1" ft 2.2 m
C	Canopy LENGTH (Diagonal)	13' 9" ft 4.2 m
D	Canopy WIDTH	9' 9" ft 3.0 m
E	HEIGHT to Mast Top	8' 3" ft 2.5 m
F	HEIGHT to Canopy Top (Closed)	8' 2" ft 2.5 m
G	Rib End Height (Closed)	1' 6" ft 0.5 m
H	Mast End to Canopy Edge (Closed)	1' 7" ft 0.5 m
I	Mast End to Canopy Edge (Open)	10' 7" ft 3.2 m
J	HEIGHT to Canopy Top (Open)	8' 3" ft 2.5 m
	Minimum Base Weight	400 lbs