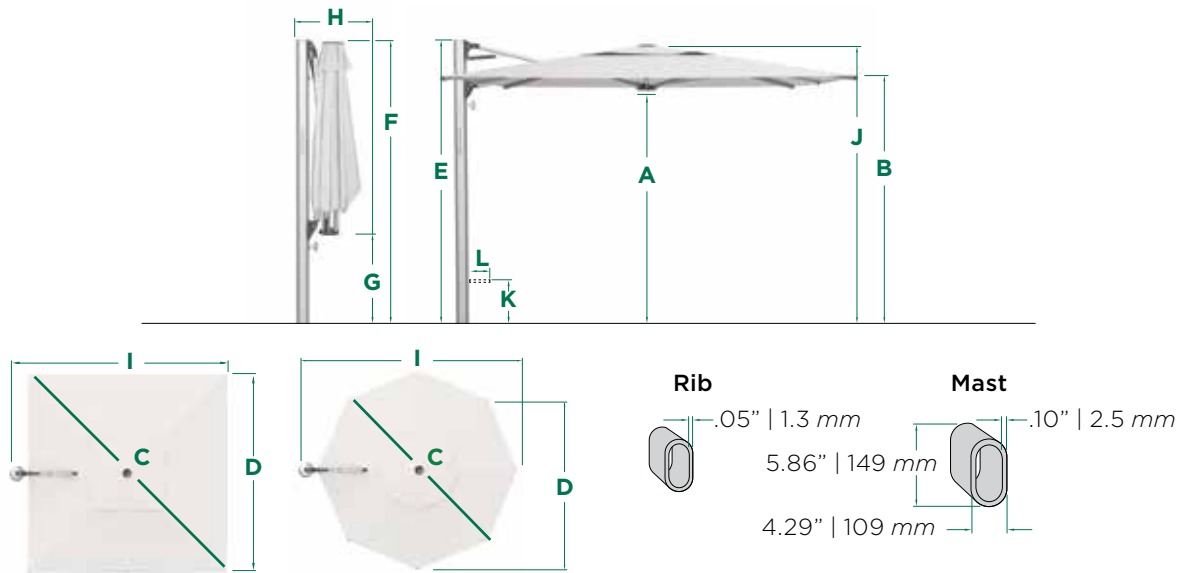


# TAURUS | SPECIFICATIONS



KEY	DESCRIPTION	TAU-30	TAU-30S
	Canopy Shape	Octagon	Square
	Coverage	75 sq ft	100 sq ft
	Ribs	8	8
	Size	10 ft   3.0 m	10 ft   3.0 m
	Weight	76 lbs	77 lbs
<b>A</b>	Lower Hub HEIGHT (Open)	6' 9" ft   2.1 m	6' 9" ft   2.1 m
<b>B</b>	Rib End HEIGHT (Open)	7' ft   2.2 m	7' ft   2.2 m
<b>C</b>	Canopy LENGTH (Diagonal)	9' 9" ft   3.0 m	13' 9" ft   4.2 m
<b>D</b>	Canopy WIDTH	9' 1" ft   2.8 m	9' 9" ft   3.0 m
<b>E</b>	HEIGHT to Mast Top	8' 3" ft   2.5 m	8' 3" ft   2.5 m
<b>F</b>	HEIGHT to Canopy Top (Closed)	8' 2" ft   2.5 m	8' 2" ft   2.5 m
<b>G</b>	Rib End HEIGHT (Closed)	4' 3" ft   1.3 m	2' 3" ft   0.7 m
<b>H</b>	Mast End to Canopy Edge (Closed)	1' 6" ft   0.5 m	1' 6" ft   0.5 m
<b>I</b>	Mast End to Canopy Edge (Open)	11' ft   3.4 m	11' ft   3.4 m
<b>J</b>	HEIGHT to Canopy Top (Open)	8' 3" ft   2.5 m	8' 4" ft   2.5 m
<b>K</b>	HEIGHT to Turning Handle	1' 9" ft   0.5 m	1' 9" ft   0.5 m
<b>L</b>	Turning Handle Width	9" in   0.2 m	9" in   0.2 m
	Minimum Base Weight	300 lbs	300 lbs